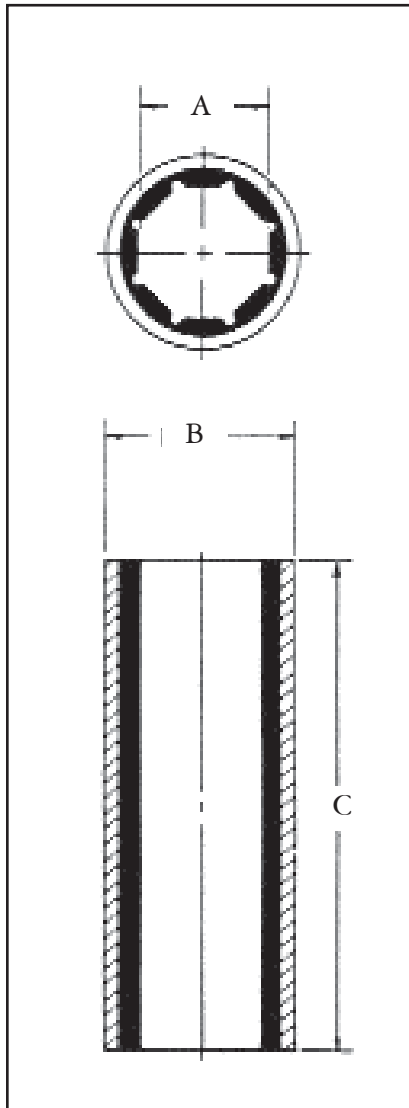


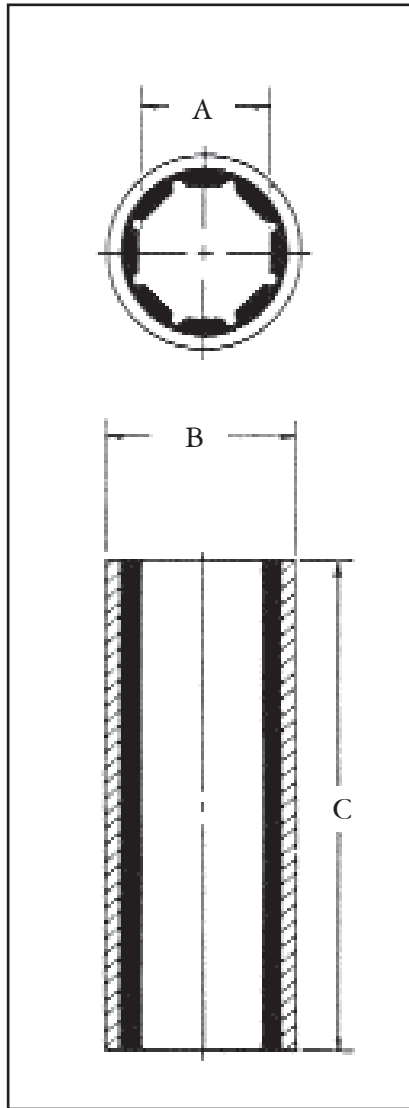
MARINE BEARINGS BRASS SLEEVE SERIES



Prices, specifications, terms and conditions are subject to change without notice and those in effect at time of shipment will apply. All rights reserved.

Part No.	Code Name	Unit Wt.	Shaft Dia (A)	Outside Dia (B.)	Length Inch (C)	Metal Wall (D)	List Price
E00100	Albacore	0.50	3/4	1-1/4	3	1/8	67.72
E00200	Blenny	0.31	7/8	1-1/4	3-1/2	1/16	73.07
E00300	Barracuda	0.69	7/8	1-3/8	3-1/2	1/8	72.31
E00400	Bass	0.75	7/8	1-1/2	3-1/2	1/8	81.41
E00500	Betta	0.13	1	1-1/4	3	1/32	69.20
E00600	Blackfish	0.31	1	1-1/4	4	1/32	70.80
E00700	Bloater	0.38	1	1-3/8	4	1/16	74.83
E00800	Bonito	0.81	1	1-1/2	4	1/8	78.20
E00900	Broadbill	0.88	1	1-5/8	4	1/8	77.54
E01000	Bullhead	1.25	1	2	4	1/8	93.88
E01100	Cama	0.50	1-1/8	1-1/2	4-1/2	1/16	92.76
E00650	Caribe	0.47	1	1-1/4	6	1/32	101.05
E01200	Carp	1.00	1-1/8	1-5/8	4-1/2	1/8	89.74
E01300	Catfish	1.19	1-1/8	1-3/4	4-1/2	1/8	97.59
E01400	Chobie	1.38	1-1/8	2	4-1/2	1/8	104.02
E01500	Chogset	0.50	1-1/4	1-1/2	5	1/8	93.87
E01600	Chub	1.13	1-1/4	1-3/4	5	1/8	94.62
E01700	Cod	1.50	1-1/4	2	5	1/8	99.14
E01800	Croaker	1.75	1-1/4	2-1/8	5	1/8	109.04
E01900	Devilfish	1.44	1-3/8	1-7/8	5-1/2	1/8	115.61
E02000	Dogfish	1.69	1-3/8	2	5-1/2	1/8	120.42
E02100	Dolphin	1.75	1-3/8	2-1/8	5-1/2	1/8	124.55
E02200	Eel	2.13	1-3/8	2-3/8	5-1/2	1/8	126.53
E02300	Flamen	1.13	1-1/2	2	4-3/8	1/8	118.52
E02400	Flatfish	1.63	1-1/2	2	6	1/8	130.74
E02500	Flounder	2.19	1-1/2	2-3/8	6	1/8	138.15
E02600	Gar	1.88	1-5/8	2-1/8	6-1/2	1/8	155.22
E02700	Grayback	2.75	1-5/8	2-5/8	6-1/2	1/8	165.54
E02800	Grouper	2.38	1-3/4	2-3/8	7	1/8	161.08
E02900	Haddo	2.81	1-3/4	2-5/8	7	1/8	164.68
E03000	Hake	3.00	1-7/8	2-5/8	7-1/2	1/8	174.66
E03100	Halibut	3.69	1-7/8	2-15/16	7-1/2	1/8	192.71
E03200	Herring	3.06	2	2-5/8	8	1/8	183.25
E03300	Kingfish	3.88	2	3	8	1/8	187.69
E03350	Lamprey	4.85	2	3	10	1/8	215.33
E03400	Mackerel	3.69	2-1/8	2-15/16	8-1/2	1/8	216.97
E03500	Manta	4.50	2-1/8	3-1/8	8-1/2	1/8	240.15
E03650	Margate	4.90	2-1/4	3	9	1/8	224.75
E03600	Marlin	3.94	2-1/4	2-15/16	9	1/8	228.33
E03700	Minnow	4.44	2-1/4	3-1/8	9	1/8	237.89
E03800	Mudfish	5.44	2-1/4	3-3/8	9	1/8	262.31
E03900	Mullet	5.44	2-3/8	3-3/8	9-1/2	1/8	285.33
E04000	Musky	4.63	2-1/2	3-1/8	10	1/8	287.09
E04100	Perch	5.50	2-1/2	3-3/8	10	1/8	282.20
E04200	Pickrel	5.75	2-5/8	3-3/8	10-1/2	1/8	300.27

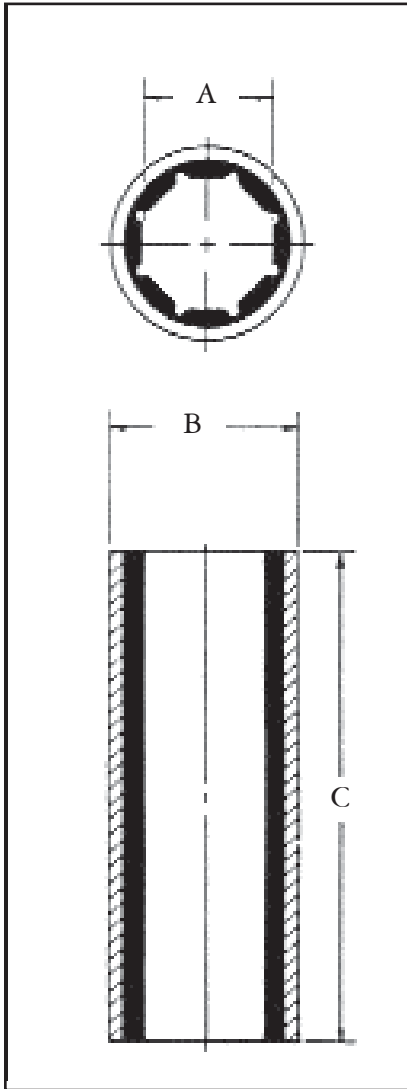
MARINE BEARINGS BRASS SLEEVE SERIES



Prices, specifications, terms and conditions are subject to change without notice and those in effect at time of shipment will apply. All rights reserved.

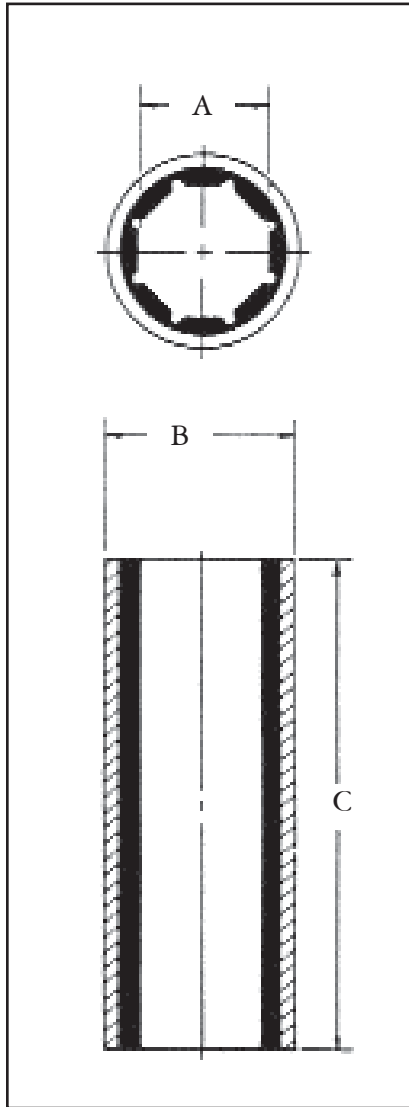
Part No.	Code Name	Unit Wt.	Shaft Dia (A.)	Outside Dia (B.)	Length Inch (C)	Metal Wall (D)	List Price
E04300	Picuda	5.63	2-3/4	3-3/8	11	1/8	325.56
E04150	Pike	6.47	2-1/2	3-1/2	10	1/8	335.41
E04400	Pinfish	6.88	2-3/4	3-3/4	11	1/8	343.86
E04500	Porgy	7.13	2-7/8	3-3/4	11-1/2	1/8	378.42
E04600	Ray	7.06	3	3-3/4	12	1/8	367.72
E04700	Redfin	7.94	3	4	12	1/8	379.26
E04800	Redfish	9.25	3-1/8	4-1/4	12-1/2	1/8	454.61
E04900	Rockfish	8.13	3-1/4	4	13	1/8	437.70
E05000	Sailfish	9.38	3-1/4	4-1/4	13	1/8	476.25
E05100	Salmon	10.63	3-3/8	4-1/2	13-1/2	1/8	497.55
E05200	Sandfish	9.56	3-1/2	4-1/4	14	1/8	491.05
E05300	Sawfish	10.25	3-1/2	4-1/2	14	1/8	495.18
E05400	Sculpin	10.81	3-5/8	4-1/2	14-1/2	1/8	554.15
E05500	Shad	11.00	3-3/4	4-1/2	15	1/8	568.11
E05600	Shark	17.56	3-3/4	5	15	3/16	637.06
E05700	Silverfish	18.19	3-3/4	5-1/4	15	3/16	707.70
E05800	Smelt	20.00	3-7/8	5-1/4	15-1/2	3/16	754.17
E05900	Snapper	18.25	4	5	16	3/16	759.34
E06000	Sockeye	19.63	4	5-1/4	16	3/16	816.23
E06100	Spearfsh	20.06	4-1/8	5-1/4	16-1/2	3/16	942.33
E06200	Squit	22.00	4-1/4	5-1/2	17	3/16	961.45
E06300	Streaker	24.31	4-3/8	5-3/4	17-1/2	3/16	991.00
E06400	Sucker	22.00	4-1/2	5-1/2	18	3/16	970.44
E06500	Sunfish	24.63	4-1/2	5-3/4	18	3/16	1035.64
E06600	Swordfish	34.00	4-5/8	6-1/8	18-1/2	1/4	1230.00
E06700	Tarpon	34.00	4-3/4	6-1/8	19	1/4	1304.50
E06800	Trout	33.00	4-7/8	6-1/8	19-1/2	1/4	1431.52
E06900	Wahoo	35.00	5	6-1/8	20	1/4	1389.75
E07000	Walleye	39.00	5	6-1/2	20	1/4	1494.52
E07100	Wandtail	44.00	5-1/4	6-3/4	21	1/4	1654.39
E07200	Wap	48.00	5-1/4	7	21	1/4	1708.56
E07300	Warfish	57.00	5-3/8	6-3/4	21-1/2	1/4	1817.74
E07400	Warsaw	62.00	5-3/8	7	21-1/2	1/4	1872.30
E07500	Whitefish	59.00	5-1/2	7	22	1/4	1941.25
E07600	Windfish	44.50	5-5/8	7	22-1/2	1/4	1995.35
E07700	Yellowtail	48.00	5-3/4	7	23	1/4	2061.25
E07800	Yowling	52.00	5-7/8	7-1/2	24	1/4	2132.12
E07900	Zanclus	55.00	6	7-1/2	24	1/4	2168.54

MARINE BEARINGS NON-METALLIC SERIES



Prices, specifications, terms and conditions are subject to change without notice and those in effect at time of shipment will apply. All rights reserved.

Part No.	Code Name	Unit Wt.	Shaft Dia (A)	Outside Dia (B)	Length Inch (C)	Metal Wall (D)	List Price
EF0100	Adder	0.13	3/4	1-1/4	3	1/8	54.52
EF0200	Agii	0.19	7/8	1-3/8	3-1/2	1/8	58.83
EF0300	Anchovy	0.19	7/8	1-1/2	3-1/2	1/8	65.42
EF0350	Anableps	0.15	1	1-1/4	4	1/32	57.07
EF0375	Arrowana	0.17	1	1-3/8	4	1/16	60.23
EF0400	Angel	0.19	1	1-1/2	4	1/8	59.03
EF0500	Barbel	0.25	1	1-5/8	4	1/8	60.13
E00600	Billfish	0.50	1	2	4	1/8	75.74
EF0650	Bloodfin	0.40	1-1/8	1-1/2	4-1/2	1/16	74.71
EF0700	Bluefish	0.25	1-1/8	1-5/8	4-1/2	1/8	76.05
EF0800	Bone	0.31	1-1/8	1-3/4	4-1/2	1/8	78.76
EF0900	Bream	0.44	1-1/8	2	4-1/2	1/8	84.05
EF0950	Brichardi	0.46	1-1/4	1-1/2	5	1/32	75.72
EF1000	Brill	0.25	1-1/4	1-3/4	5	1/8	76.04
EF1100	Burbot	0.50	1-1/4	2	5	1/8	80.01
EF1200	Capelin	0.63	1-1/4	2-1/8	5	1/8	87.93
EF1300	Chirus	0.44	1-3/8	1-7/8	5-1/2	1/8	88.34
EF1400	Ciscoes	0.50	1-3/8	2	5-1/2	1/8	92.25
EF1500	Coal	0.63	1-3/8	2-1/8	5-1/2	1/8	96.87
EF1600	Coney	0.81	1-3/8	2-3/8	5-1/2	1/8	101.69
EF1700	Corbina	0.50	1-1/2	2	6	1/8	105.35
EF1800	Craig	0.50	1-1/2	2-3/8	6	1/8	111.43
EF1900	Cramp	0.50	1-5/8	2-1/8	6-1/2	1/8	123.59
EF2000	Didon	1.13	1-5/8	2-5/8	6-1/2	1/8	132.06
EF2100	Dorade	0.81	1-3/4	2-3/8	7	1/8	128.52
EF2200	Gerres	1.00	1-3/4	2-5/8	7	1/8	131.58
EF2300	Gilthead	1.00	1-7/8	2-5/8	7-1/2	1/8	149.44
EF2400	Globe	1.50	1-7/8	2-15/16	7-1/2	1/8	153.87
EF2500	Gobie	0.94	2	2-5/8	8	1/8	155.28
EF2600	Guppy	1.56	2	3	8	1/8	159.12
EF2700	Haddock	1.31	2-1/8	2-15/16	8-1/2	1/8	173.32
EF2800	Hayho	1.88	2-1/8	3-1/8	8-1/2	1/8	191.69
EF2900	Holia	1.38	2-1/4	2-15/16	9	1/8	177.24
EF3000	Hoopid	1.81	2-1/4	3-1/8	9	1/8	182.36
EF3100	Horned	2.19	2-1/4	3-3/8	9	1/8	189.94
EF3200	Jurel	2.13	2-3/8	3-3/8	9-1/2	1/8	209.31
EF3300	Launce	1.44	2-1/2	3-1/8	10	1/8	224.03
EF3400	Loach	1.75	2-1/2	3	10	1/8	226.91
EF3500	Lump	1.81	2-5/8	2-15/16	10-1/2	1/8	258.39
EF3600	Midge	1.75	2-3/4	3-1/8	11	1/8	261.02
EF3700	Monda	2.63	2-3/4	3-3/8	11	1/8	274.60
EF3800	Moray	2.56	2-7/8	3-3/8	11-1/2	1/8	302.28
EF3900	Numb	2.38	3	3-1/8	12	1/8	304.87
EF4000	Oarfish	3.00	3	3-3/8	12	1/8	307.63
EF4100	Ox	3.75	3-1/8	3-3/8	12-1/2	1/8	343.13



MARINE BEARINGS NON-METALLIC SERIES

Part No.	Code Name	Unit Wt.	Shaft Dia (A.)	Outside Dia (B.)	Length Inch (C)	Metal Wall (D)	List Price
EF4200	Ono	2.75	3-1/4	4	13	1/8	346.22
EF4300	Paddle	3.50	3-1/4	4-1/4	13	1/8	360.74
EF4400	Pipe	4.13	3-3/8	4-1/2	13-1/2	1/8	393.56
EF4500	Plaice	3.88	3-1/2	4-1/4	14	1/8	404.70
EF4600	Pilot	4.00	3-1/2	4-1/2	14	1/8	407.79
EF4700	Piper	3.50	3-5/8	4-1/2	14-1/2	1/8	438.01
EF4800	Sprat	3.13	3-3/4	4-1/2	15	1/8	469.25
EF4900	Saltie	5.81	3-3/4	5	15	3/16	503.84
EF5000	Sole	7.13	3-3/4	5-1/4	15	3/16	559.47
EF5100	Sardine	6.38	3-7/8	5-1/4	15-1/2	3/16	605.37
EF5200	Skate	4.75	4	5	16	3/16	650.22
EF5300	Skittle	6.38	4	5-1/4	16	3/16	710.04
EF5400	Star	5.63	4-1/8	5-1/4	16-1/2	3/16	826.90
EF5500	Sand	7.13	4-1/4	5-1/2	17	3/16	855.98
EF5600	Spotted	8.81	4-3/8	5-3/4	17-1/2	3/16	885.05
EF5700	String	6.13	4-1/2	5-1/2	18	3/16	893.37
EF5800	Strugeon	8.13	4-1/2	5-3/4	18	3/16	929.42
EF5900	Sterlet	10.50	4-5/8	6-1/8	18-1/2	1/4	949.89
EF6000	Sea	10.00	4-3/4	6-1/8	19	1/4	959.76
EF6100	Scald	9.31	4-7/8	6-1/8	19-1/2	1/4	1068.57
EF6200	Scarina	8.50	5	6-1/8	20	1/4	1152.24
EF6300	Scomber	12.25	5	6-1/2	20	1/4	1230.37
EF6400	Seacal	13.25	5-1/4	6-3/4	21	1/4	1353.14
EF6500	Shanny	15.75	5-1/4	7	21	1/4	1406.42
EF6600	Skipjack	12.00	5-3/8	6-3/4	21-1/2	1/4	1551.27
EF6700	Scad	14.00	5-3/8	7	21-1/2	1/4	1586.47
EF6800	Tunny	13.50	5-1/2	7	22	1/4	1591.94
EF6900	Skippy	12.63	5-5/8	7	2	1/4	
EF7000	Snook	12.25	5-3/4	7	23	1/4	1688.39
EF7100	Spinous	18.00	5-7/8	7-1/2	24	1/4	1723.71
EF7200	Serrono	16.00	6	7-1/2	24	1/4	1783.35

Prices, specifications, terms and conditions are subject to change without notice and those in effect at time of shipment will apply. All rights reserved.